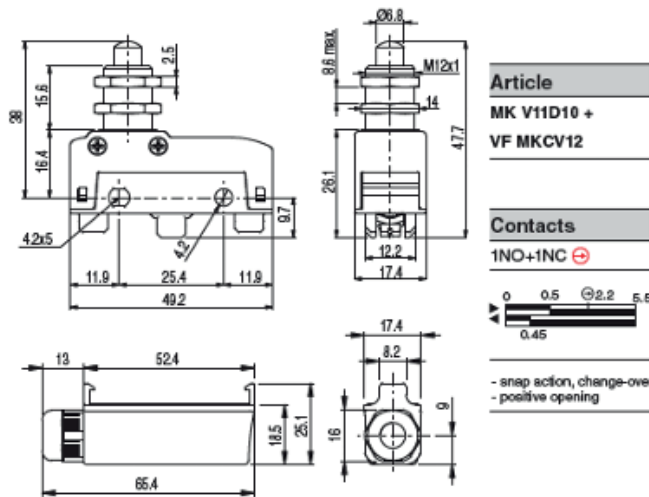




**Mikrobryter til klaffventil KLVM/KLPM/COKM.**

Art.nr	Vekt (kg)
SPLV-01	0,08



**Technical data**

**Housing**  
Housing made of glass fibre reinforced technopolymer, self-extinguishing and shock-proof.  
Protection degree acc. to EN 60529: IP40 (with terminal covers VF MKCV12)  
Protective terminal cover VF MKCV12: for multipolar cables Ø4...7.5mm

**General data**  
Ambient temperature: -25°C ... +85°C  
Max. actuation frequency: 3600 operating cycles/hour  
Mechanical endurance: 10 million operating cycles  
Safety parameter B<sub>100</sub>: 20,000,000 for NC contacts

**Cable cross section (flexible copper strands)**  
MK series: min. 1 x 0.34 mm<sup>2</sup> (1 x AWG 22)  
max. 2 x 1.5 mm<sup>2</sup> (2 x AWG 16)

**In compliance with standards:**  
IEC 60947-5-1, EN 60947-5-1, IEC 60529, EN 60529, EN 60947-1, IEC 60947-1.  
**Approvals:**  
UL 508, CSA 22.2 No.14, EN 60947-1, EN 60947-5-1.

**Screws driving torques**

Nuts 2 ... 3 Nm  
Head screws 0,3 ... 0,4 Nm  
M4 screws 0,8 ... 1,2 Nm  
Terminal screws 0,6 ... 0,8 Nm

**Compliance with the requirements of:**  
Low Voltage Directive 2014/35/EU,  
EMC Directive 2014/30/EU,  
RoHS Directive 2011/65/EU.  
**Positive contact opening in conformity with standards:**  
IEC 60947-5-1, EN 60947-5-1.

**Quality marks:**



IMQ approval: CAQ2.05772  
UL approval: E131787  
CCC approval: 2013010305604291  
EAC approval: RU C-IT.AD35.B.00454

**Electrical data**

Thermal current (I<sub>th</sub>): 16 A  
Rated insulation voltage (U<sub>i</sub>): 250 Vac 300 Vdc  
Rated impulse withstand voltage (U<sub>imp</sub>): 4 kV  
Conditional short circuit current: 1000 A acc. to EN 60947-5-1  
Protection against short circuits: type gG fuse 16 A 250 V  
Pollution degree: 3  
Dielectric strength: 2000 Vac/min.

**Utilization category**

Alternating current: AC15 (50 ... 60 Hz)  
U<sub>e</sub> (V) 120 250  
I<sub>e</sub> (A) 4 5  
Direct current: DC13  
U<sub>e</sub> (V) 24 125 250  
I<sub>e</sub> (A) 5 0.6 0.3