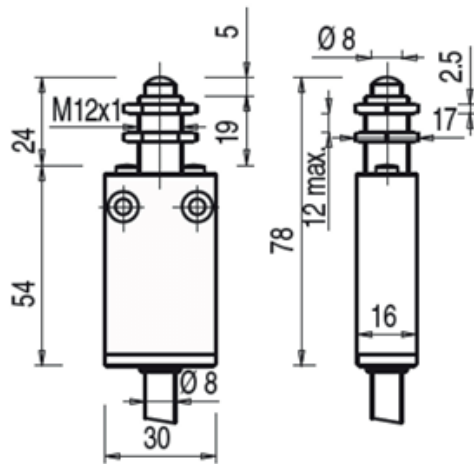




ATEX-godkjent mikrobryter til klaffventil KLVM/KLPM/COKM.

Art.nr	Vekt (kg)
SPLV-01-EX	0,08

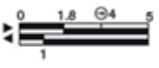


Article

FA 4510-2SH-EX5

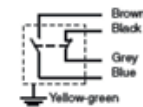
Contacts

1NO+1NC



- positive opening
- snap action
- double interruption

Internal wiring



Technical data

Housing

Metal housing, powder-coated with cable in halogen-free polyurethane, 2 m
Protection degree: IP67 acc. to EN 60529

General data

Ambient temperature: -20°C ... +60°C
Max. actuation frequency: 3600 operating cycles/hour
Mechanical endurance: 10 million operating cycles
Mounting position: any
Safety parameters B_{red} (NC contacts): 20,000,000
Mechanical interlock, not coded: type 1 acc. to EN ISO 14119

Compliance with the requirements of:

ATEX Directive 2014/34/EU,
EMC Directive 2014/30/EU
Positive contact opening in conformity with standards:
IEC 60947-5-1, EN 60947-5-1.

In compliance with standards:

IEC 60947-5-1, EN 60947-5-1, EN 60947-1,
IEC 60204-1, EN 60204-1, EN ISO 14119,
EN ISO 12100, IEC 60529, EN 60529,
UL 508, CSA 22.2 No.14, IEC 60079-0,
EN 60079-0, IEC 60079-31, EN 60079-31,
IEC 60079-15, EN 60079-15.

Installation for safety applications:

Use only switches marked with the symbol ⊕ next to the product code. Always connect the safety circuit to the **NC contacts** (normally closed contacts: see "Internal wiring") as required by **EN ISO 14119, paragraph 5.4** for specific interlock applications and **EN ISO 13849-2 tables D3** (well-tried components) and **D.8** (failure exclusions) for safety applications in general. Actuate the switch at least up to the **positive opening travel** shown in the travel diagrams on page 217. Actuate the switch at least with the **positive opening force**, reported in brackets below each article, next to the actuating force value.

ATEX markings:

Product code extension: **-EX5**
Quality mark: **CE**
Certificate type and notified body: **EU declaration of conformity Pizzato Elettrica S.r.l.**

Category	Zone	EPL	Approvals							
3D	22	De	Ex	II	3D	Ex	to	IEC	Tso°C	De
3G	2	Ge	Ex	II	3G	Ex	nC	IEC	Ts	Ge

Product code extension: **-EX5**

Electrical data

Thermal current (I_{th}): 10 A
Rated insulation voltage (U): 400 Vac/dc
Conditional short circuit current: 1000 A acc. to EN 60947-5-1
Protection against short circuits: type aM fuse 10 A 500 V
Pollution degree: 3

Utilization category

Alternating current: AC15 (50±60 Hz)
Ue (V) 120 250 400
Ie (A) 6 4 3
Direct current: DC13
Ue (V) 24 125 250
Ie (A) 2.5 0.55 0.27