

KLVP/KLPM



KLVP är en elförzinkad klaffventil, utrustad med ett självstängande fjädrat lock. Ventilen monteras på röret med PICO-koppling. Passar till flexibla slangar, anslutna genom slangkoppling HOCO.

KLPM är identisk med KLVP, men med en mikro-brytare som startar systemet när locket öppnas.

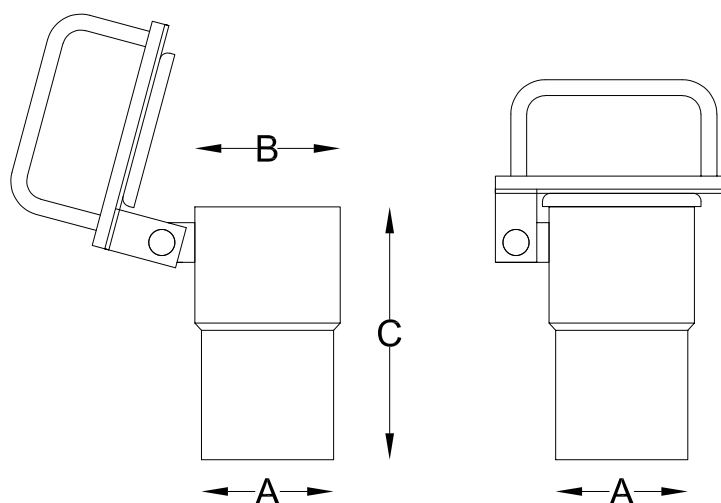
Mikrobrytaren finns även i ATEX-godkänt utförande.

Teknisk data microbrytare till KLPM (SPLV-01)

Termisk märkström	10 Ampere
Spänning	250 V
Kapsling	IP64
Temperaturområde	-25°C-+85°C

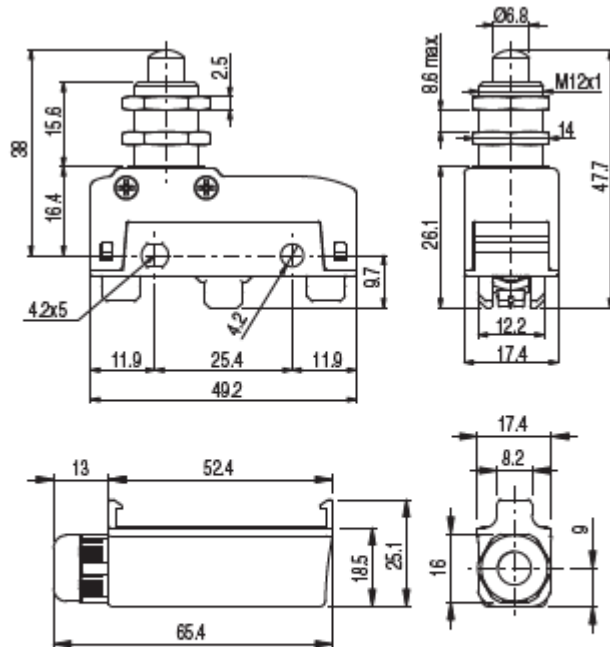
Tvångsbrytande kontakter enligt IEC 947-5-1

	A mm	B mm	C mm	D mm	Vikt kg KLVP/KLPM
050-050	49,7	48,8	95,4	48	0,48/0,53
063-050	63,5	48	94,9	48	0,63/0,68
063-063	63,5	67	95	49,8	0,76/0,82



MICRO SWITCH FOR LEAF VALVE

SPLV-01

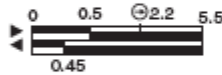


Article

MK V11D10 +
VF MKCV12

Contacts

1NO+1NC



- snap action, change-over
- positive opening



Technical data

Housing

Housing made of glass fibre reinforced technopolymer, self-extinguishing and shock-proof.

Protection degree acc. to EN 60529: IP40 (with terminal covers VF MKCV12)
Protective terminal cover VF MKCV12: for multipolar cables Ø4...7.5mm

Screws driving torques

Nuts	2 ... 3 Nm
Head screws	0,3 ... 0,4 Nm
M4 screws	0,8 ... 1,2 Nm
Terminal screws	0,6 ... 0,8 Nm

General data

Ambient temperature:	-25°C ... +85°C
Max. actuation frequency:	3600 operating cycles/hour
Mechanical endurance:	10 million operating cycles
Safety parameter B _{10D} :	20,000,000 for NC contacts

Compliance with the requirements of:

Low Voltage Directive 2014/35/EU,
EMC Directive 2014/30/EU,
RoHS Directive 2011/65/EU.
Positive contact opening in conformity with standards:
IEC 60947-5-1, EN 60947-5-1.

Cable cross section (flexible copper strands)

MK series:	min.	1 x 0.34 mm ²	(1 x AWG 22)
	max.	2 x 1.5 mm ²	(2 x AWG 16)

Quality marks:



IMQ approval:	CA02.05772
UL approval:	E131787
CCC approval:	2013010305604291
EAC approval:	RU C-IT.A.135.B.00454

In compliance with standards:

IEC 60947-5-1, EN 60947-5-1, IEC 60529, EN 60529, EN 60947-1, IEC 60947-1.

Approvals:

UL 508, CSA 22.2 No.14, EN 60947-1, EN 60947-5-1.

Electrical data

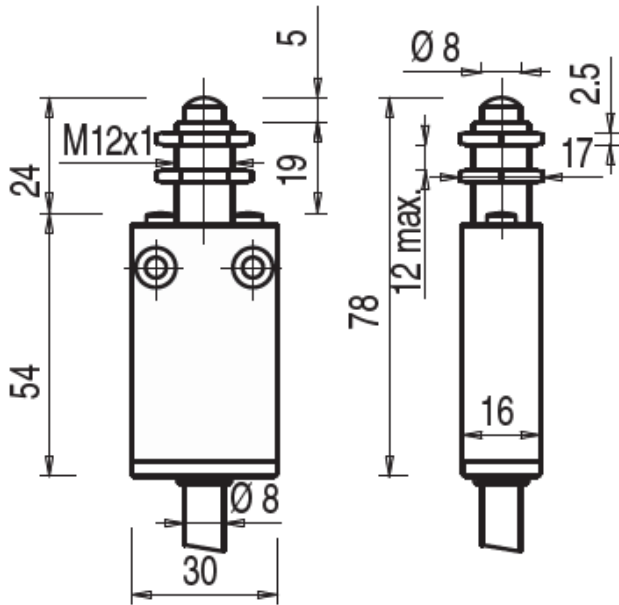
Thermal current (I _n):	16 A
Rated insulation voltage (U _i):	250 Vac 300 Vdc
Rated impulse withstand voltage (U _{imp}):	4 kV
Conditional short circuit current:	1000 A acc. to EN 60947-5-1
Protection against short circuits:	type gG fuse 16 A 250 V
Pollution degree:	3
Dielectric strength	2000 Vac/min.

Utilization category

Alternating current: AC15 (50 ... 60 Hz)		
U _e (V)	120	250
I _e (A)	4	5
Direct current: DC13		
U _e (V)	24	125 250
I _e (A)	5	0.6 0.3

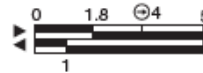
MICRO SWITCH ATEX FOR LEAF VALVE

SPLV-01-EX



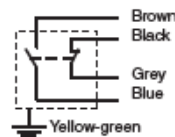
Article
FA 4510-2SH-EX5

Contacts
1NO+1NC ⊕



- positive opening
- snap action
- double interruption

Internal wiring



Technical data

Housing

Metal housing, powder-coated with cable in halogen-free polyurethane, 2 m
Protection degree: IP67 acc. to EN 60529

General data

Ambient temperature: -20°C ... +60°C
Max. actuation frequency: 3600 operating cycles/hour
Mechanical endurance: 10 million operating cycles
Mounting position: any
Safety parameters B_{10D} (NC contacts): 20,000,000
Mechanical interlock, not coded: type 1 acc. to EN ISO 14119

Installation for safety applications:

Use only switches marked with the symbol ⊕ next to the product code. Always connect the safety circuit to the **NC contacts** (normally closed contacts: see "Internal wiring") as required by **EN ISO 14119, paragraph 5.4** for specific interlock applications and **EN ISO 13849-2 tables D3** (well-tries components) and **D.8** (failure exclusions) for safety applications in general. Actuate the switch **at least up to the positive opening travel** shown in the travel diagrams on page 217. Actuate the switch **at least with the positive opening force**, reported in brackets below each article, next to the actuating force value.

Compliance with the requirements of:

ATEX Directive 2014/34/EU,
EMC Directive 2014/30/EU
Positive contact opening in conformity with standards:
IEC 60947-5-1, EN 60947-5-1.

In compliance with standards:

IEC 60947-5-1, EN 60947-5-1, EN 60947-1,
IEC 60204-1, EN 60204-1, EN ISO 14119,
EN ISO 12100, IEC 60529, EN 60529,
UL 508, CSA 22.2 No.14, IEC 60079-0,
EN 60079-0, IEC 60079-31, EN 60079-31,
IEC 60079-15, EN 60079-15.

ATEX markings:

Product code extension	Quality mark	Certificate type and notified body
-EX5	CE	EU declaration of conformity Pizzato Elettrica S.r.l.

Category	Zone	EPL	Approvals							
3D	22	Dc	Ex	II	3D	Ex	to	III	T80°C	Dc
3G	2	Gc	Ex	II	3G	Ex	nC	IIC	T6	Gc

Product code extension
-EX5

Electrical data

Thermal current (I_{th}): 10 A
Rated insulation voltage (U_i): 400 Vac/dc
Conditional short circuit current: 1000 A acc. to EN 60947-5-1
Protection against short circuits: type aM fuse 10 A 500 V
Pollution degree: 3

Utilization category

Alternating current: AC15 (50÷60 Hz)
U_e (V) 120 250 400
I_e (A) 6 4 3
Direct current: DC13
U_e (V) 24 125 250
I_e (A) 2.5 0.55 0.27