

ZWR Extractor Fan

Direct drive

Backward inclined

Spark proof



Designed to extract:

- **SMOKE**
- **VAPOUR**
- **LIGHT DUST**

ZWR Extractor Fan

ZWR Extractor Fan

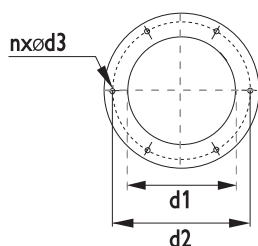
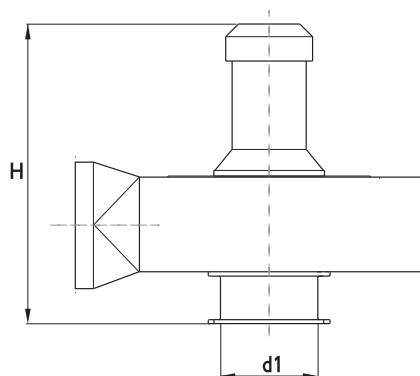
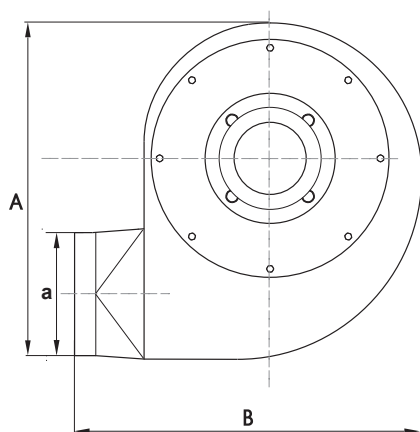
Oskar ZWR fans are manufactured with backward inclined aluminium blades. Oskar ZWR fans are designed to extract smoke, vapour and light dust away from the worker's breathing zone. ZWR units are meant for usage with non-explosive and chemically non-aggressive gases of

temperatures up to 40°C. The rugged, powder coated, welded sheet iron assures a non-sparking design. They have steel impellers which are directly mounted on the motor shaft.

Oskar ZWR fan units can be mounted directly onto Oskar Fume Arm, Extension Booms and Hose Reels.

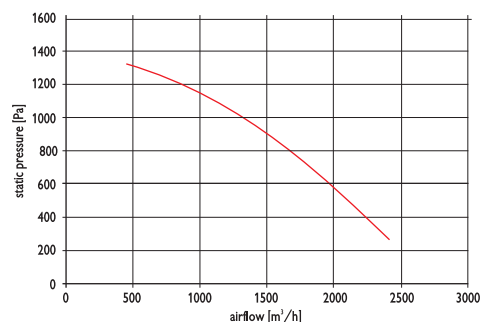
Technical Data

Type	Power supply [V] / [Hz]	Power [kW]	Rotation [rpm]	Protection	Noise level [dB(A)]	Dimensions [mm]						
						A	B	H	d1	a	n	d2
ZWR-03	3x400V / 50	0.75	2780	IP55	77	513	575	427	157	158	6	195
ZWR-04	3x400V / 50	1.1	2760	IP55	79	577	635	481	157	198	6	195
ZWR-05	3x400V / 50	2.2	2800	IP55	80	651	691	492	197	198	8	246

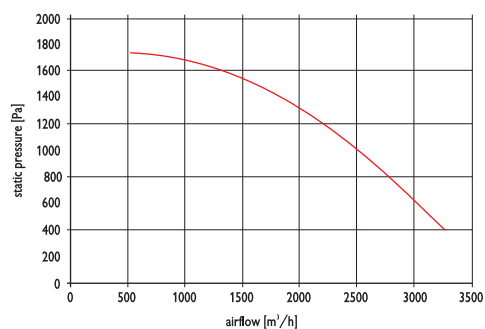


Air flow diagrams

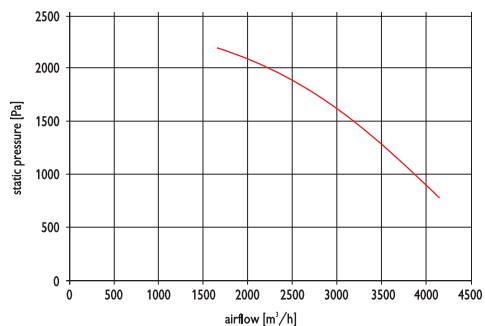
ZWR-03



ZWR-04



ZWR-05



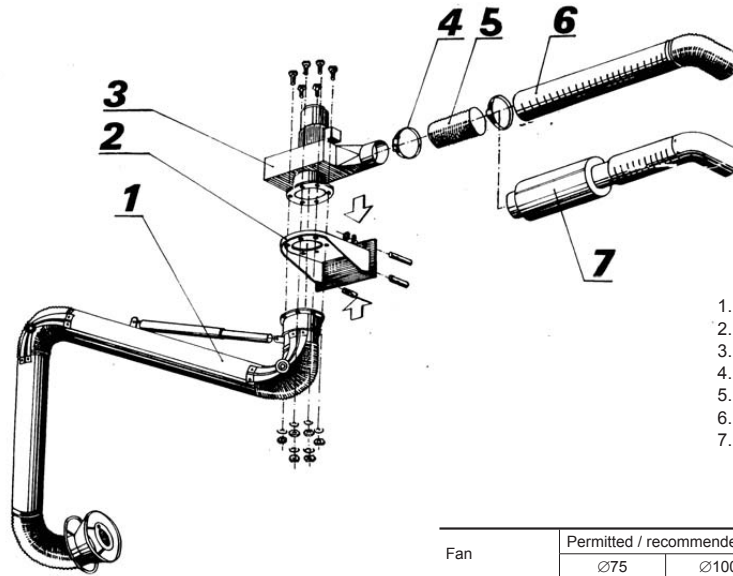
ZWR Extractor Fan

Application – a simple guide

Oskar ZWR fans can be matched with almost all our products. Correctly selected fans ensure that maximum air volume and maximum efficiency can be moved along the system. Table and drawings shown below enable rudimentary selection of fans when matched with our equipment and

assuming typical discharge ductwork. In most cases that can be as simple as look-out in our tables. However, in other cases, professional advice from qualified consultant is recommended. Please stay in contact with authorized distributor or representative for information and advice.

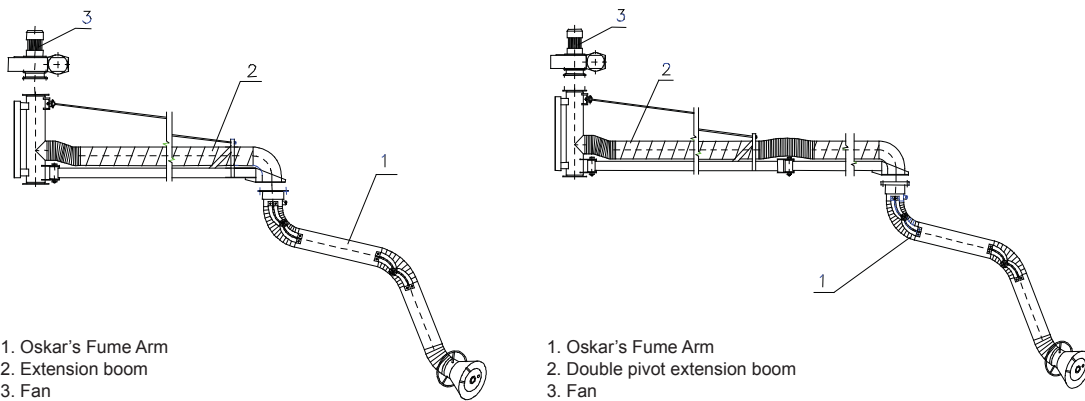
Fan and arms combination example:



- 1. Oskar's Fume Arm
- 2. Bracket
- 3. Fan
- 4. Gear clamp
- 5. Flexible hose
- 6. Ducting
- 7. Silencer

Fan	Permitted / recommended number of arms with one fan and simple ducting				
	Ø75	Ø100	Ø125	Ø160	Ø200
ZWR-03	9	5	2	1	–
ZWR-04	10	6	2	1	1
ZWR-05	18	10	4	2	1

Fans, arms and extension booms combination example:



- 1. Oskar's Fume Arm
- 2. Extension boom
- 3. Fan

- 1. Oskar's Fume Arm
- 2. Double pivot extension boom
- 3. Fan

Fan	Permitted / recommended number of arms with one fan and simple ducting					
	Single boom + arm			Double-pivot boom + arm		
	Ø125	Ø160	Ø200	Ø125	Ø160	Ø200
ZWR-03	1	–	–	–	–	–
ZWR-04	2	1	–	1	1	1
ZWR-05	2	2	1	2	1	1