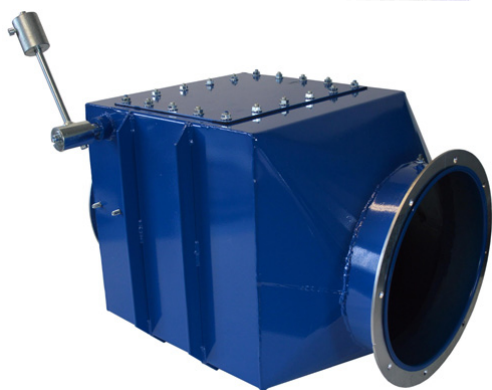


NOT RETURN VALVES ANTI EXPLOSION

CE 2049 DNV-MUNO 09 ATEX 4519 Ex II GD

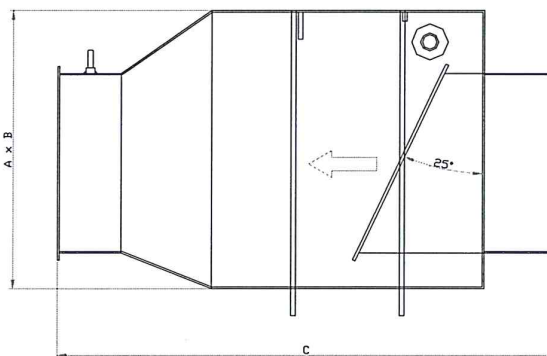


The valves not return of safety, are certified ATEX EN 15089/2009 against the propagation of the explosion in the suction's line. They are the sure solution to isolate the environments in case of explosion in the equipment of suction stopping the explosive effect in the suction's line. They are built in carbon steel painted Blue RAL 5010 or in stainless steel AISI 304 welded in all the unions and reinforced structure to sustain an high pressure, standard production up to the Ø500 with edges for fixing with clips, over Ø500 equipped with flanges and counter flanges our standard. A seal ensures held in closed position.

TECHNICAL DATA:

- Application class: 3 (Kst max 300 bar m/s)
- Pred 0,5 bar (72,5 PSI)
- Maximum speed of air: 30 m/s
- Application zone 20 – 21 – 22 internal; 21 – 22 external
- Minimum installation distance from a possible source of explosion:
1 meter for kst until 200; 2 meters kst 200 ÷ 300
- Max distance: 2/3 metri
- Maximum pressure of work 50.000 Pa

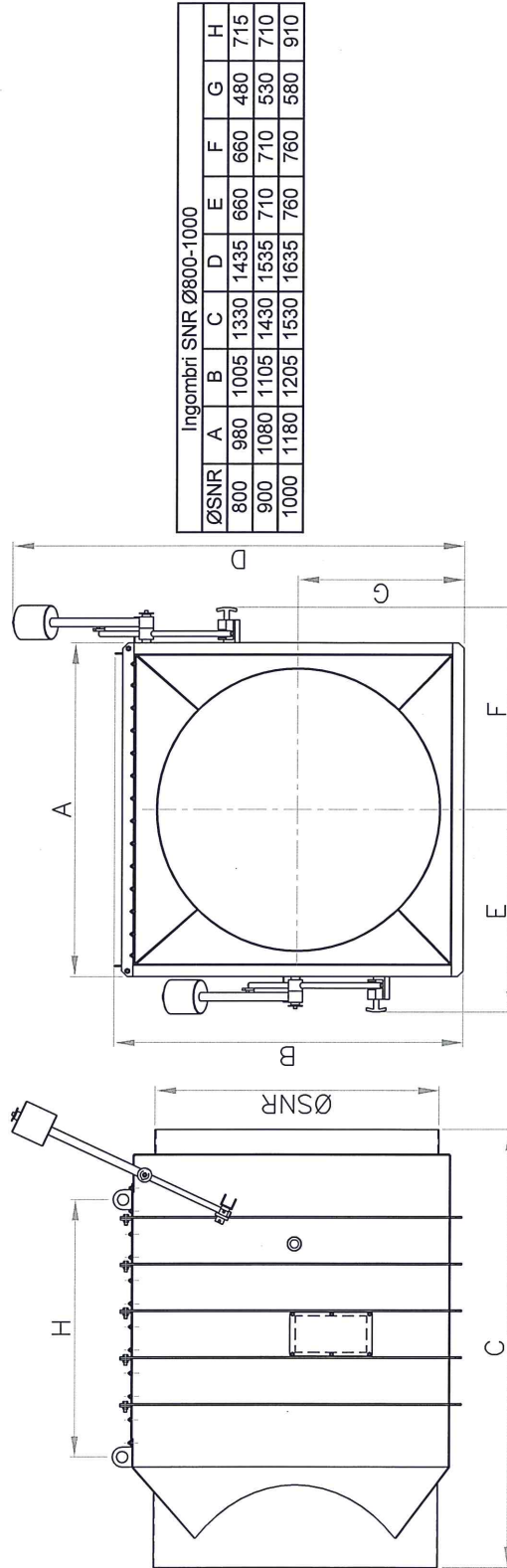
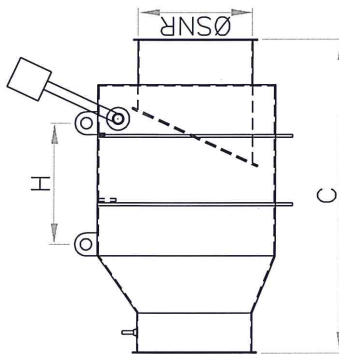
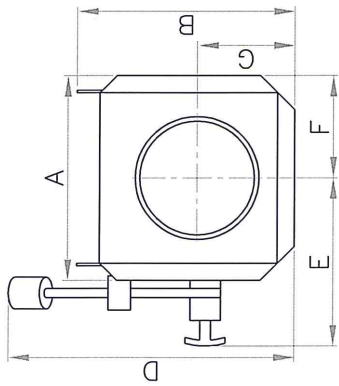
Ø SNR	A	B	C	Kg
Ø 200	370	345	550	20
Ø 250	420	395	600	25
Ø 300	470	445	670	38
Ø 350	520	495	720	45
Ø 400	570	545	770	54
Ø 450	620	595	820	68
Ø 500	670	645	870	80
Ø 550	720	695	920	100
Ø 600	770	745	970	115
Ø 650	820	795	1020	125
Ø 700	870	845	1070	135



SNR

Ingombri SNR Ø160-700

ØSNR	A	B	C	D	E	F	G	H
160	360	340	550	340	300	180	170	-
180	360	340	550	340	300	180	170	-
200	360	340	550	340	300	180	170	-
250	410	390	600	390	325	205	195	-
300	460	440	670	600	350	230	220	-
350	510	490	720	650	375	255	245	-
400	560	590	770	750	400	280	270	350
450	610	640	820	845	425	305	295	400
500	660	690	870	985	450	330	320	460
550	710	740	920	950	475	355	345	500
600	760	790	970	1045	500	380	370	550
650	810	840	1020	1145	525	405	395	605
700	860	890	1070	1195	550	430	420	650



Ingombri SNR Ø800-1000

ØSNR	A	B	C	D	E	F	G	H
800	980	1005	1330	1435	660	660	480	715
900	1080	1105	1430	1535	710	710	530	710
1000	1180	1205	1530	1635	760	760	580	910